

Quick Disconnects

Piggy Back Disconnects

Materials:

Conductor: Brass
Sleeve: Copper tubular
Insulation: Vinyl
Plating: Tin

Operating Temperature:

-10°C to +75°C

Features:

Max. voltage rating: 300V
Flared barrel for easy wire insertion
Low insertion force and easy crimping whilst ensuring secure termination
(L suffix on Item no. denotes long internal copper sleeve)



Max. current rating

Red	10A
Blue	15A
Yellow	24A

Item No.	Colour	Wire Range (mm ²)	Dimensions (mm)								
			Tab Size	B	C	D	W	W1	L	F	F1
WT55	Red	0.5-1.5	0.8 x 6.35	10.0	1.7	3.8	6.7	6.35	21.0	8.0	8.2
WT55-L	Red	0.5-1.5	0.8 x 6.35	10.0	1.7	3.8	6.7	6.35	21.0	8.0	8.2
WT56	Blue	1.5-2.5	0.8 x 6.35	10.0	2.3	4.7	6.7	6.4	21.0	8.0	8.2
WT56-L	Blue	1.5-2.5	0.8 x 6.35	10.0	2.3	4.7	6.7	6.4	21.0	8.0	8.2
WT57	Yellow	4.0-6.0	0.8 x 6.35	13.0	3.4	6.2	6.7	6.4	24.5	8.0	8.2
WT57-L	Yellow	4.0-6.0	0.8 x 6.35	13.0	3.4	6.2	6.7	6.4	24.5	8.0	8.2

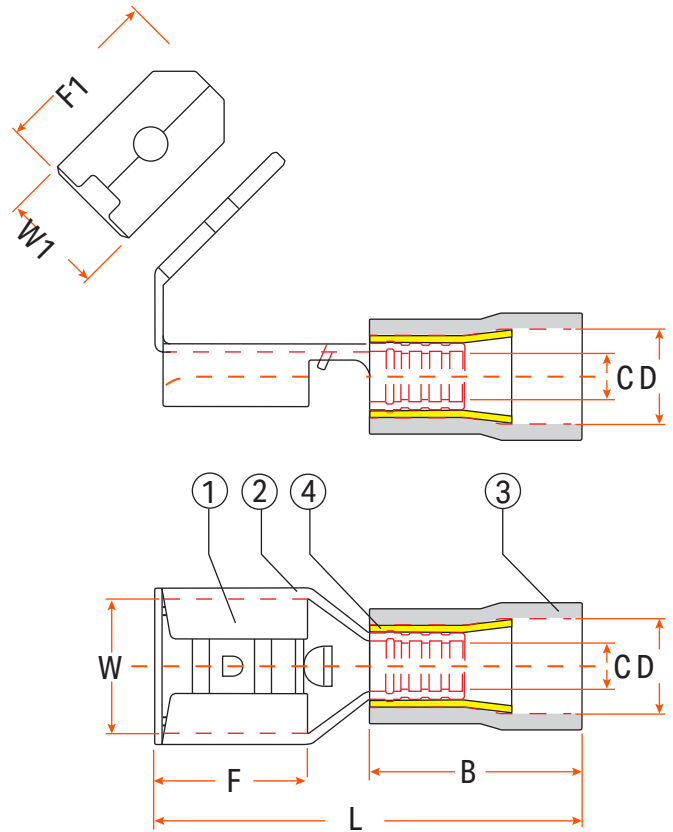
Quick Disconnects

Piggy Back Disconnects

Standard Internal Copper Sleeve

Material

- ① Brass
- ② Tin
- ③ Vinyl
- ④ Copper



Long Internal Copper Sleeve

*L suffix on Item No.
denotes Long Internal
Copper Sleeve

